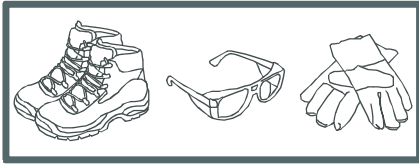
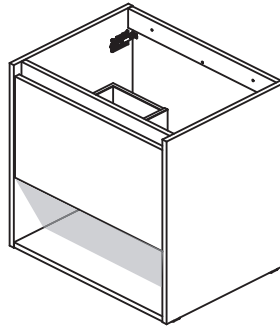


Niwa

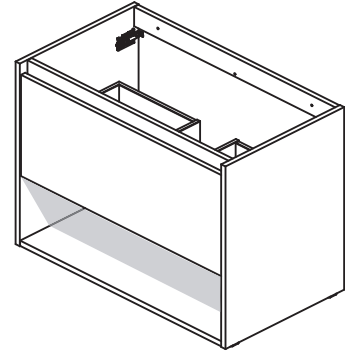
AMIZUVA



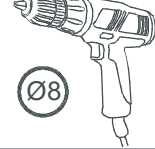
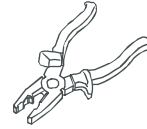
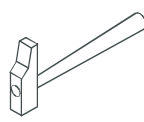
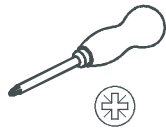
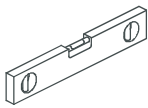
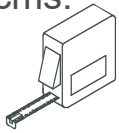
60



80



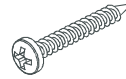
cms.



x2



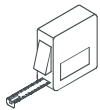
x4



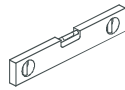
x4

BO-719

01.



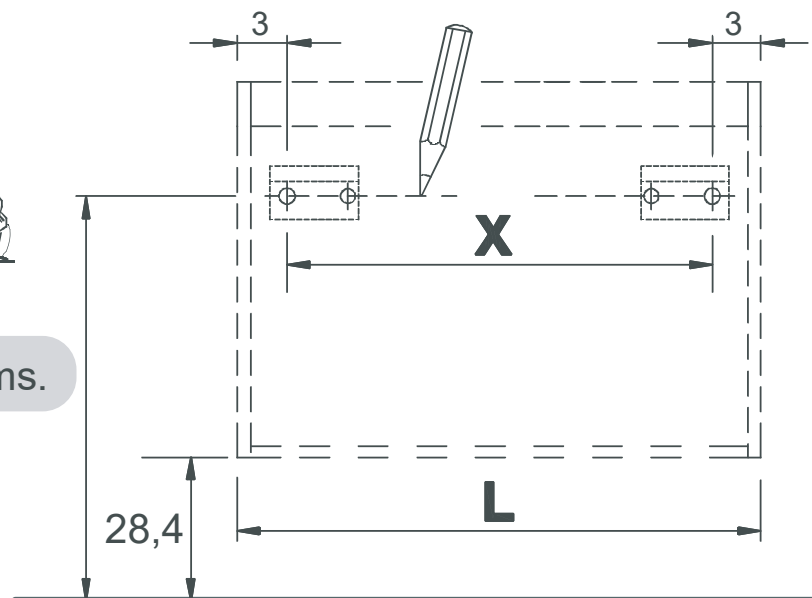
cms.



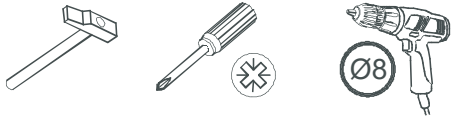
L:59,5cms. → X=53,5cms.

L:79,5cms. → X=73,5cms.

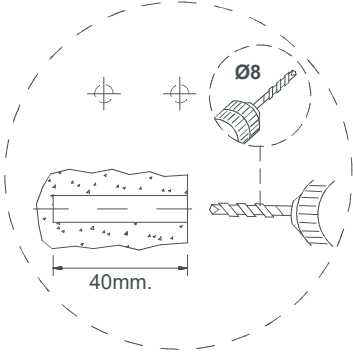
74cms.



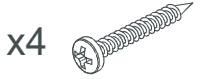
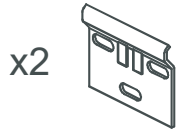
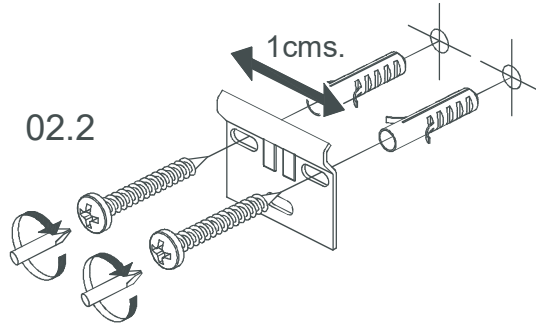
02.



02.1



02.2

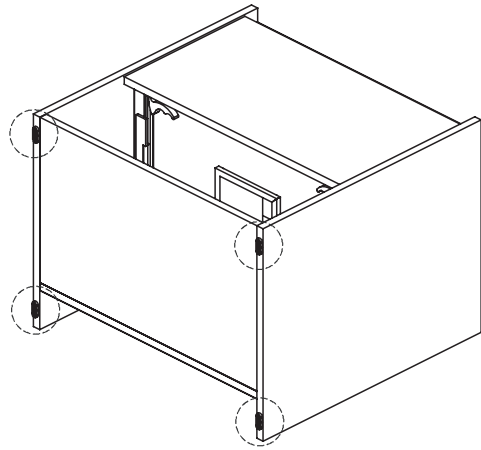
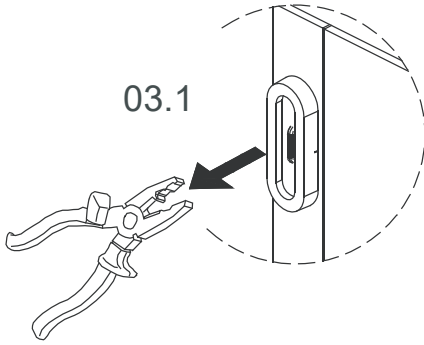


BO-719

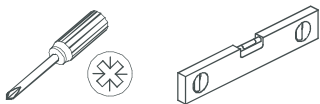
03.



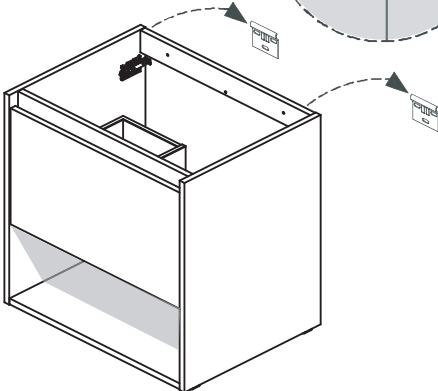
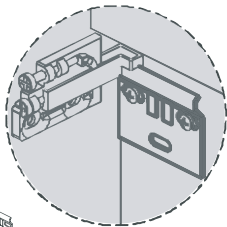
03.1



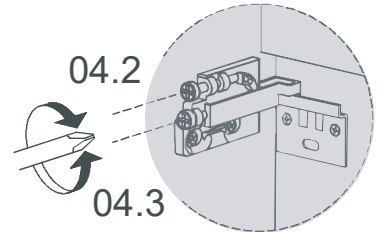
04.



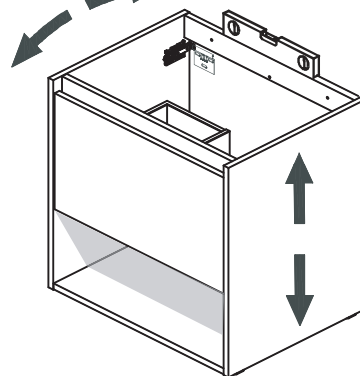
04.1



04.2



04.3

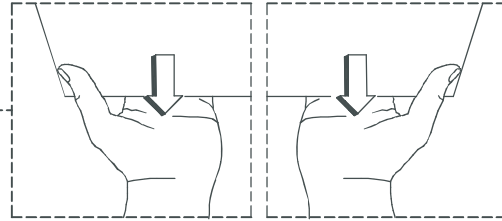
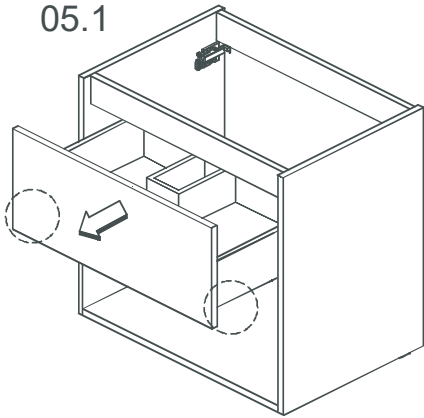


04.2
±1cms.

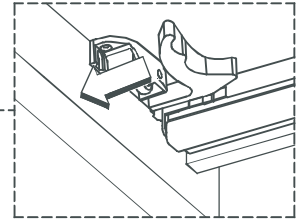
05.



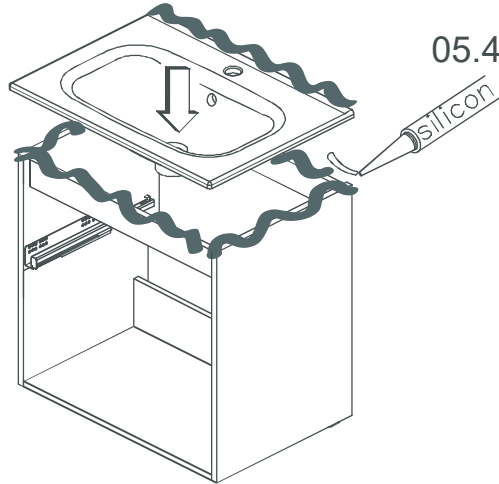
05.1



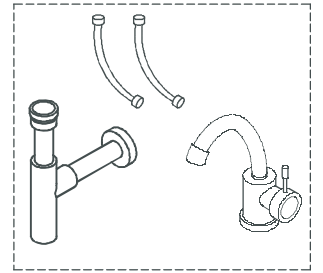
05.2



05.3

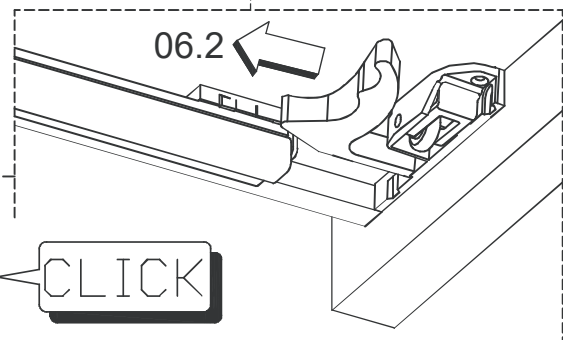
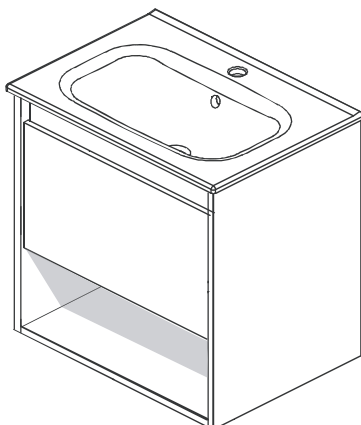
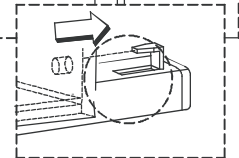
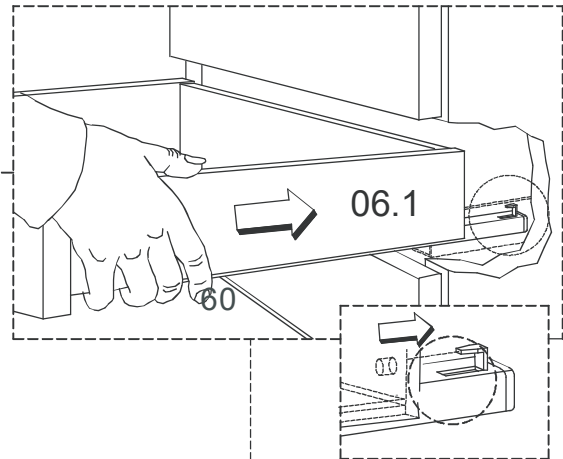
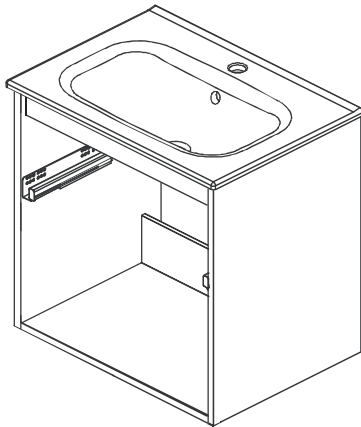


05.4

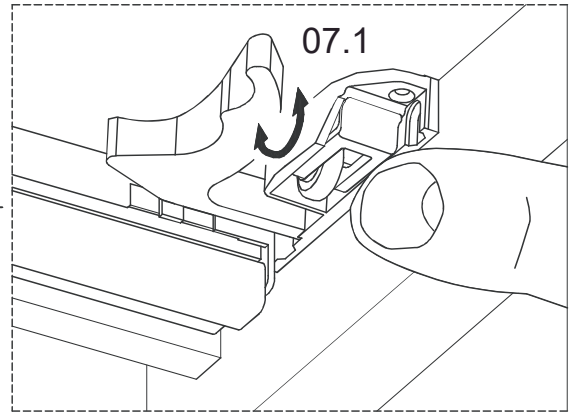
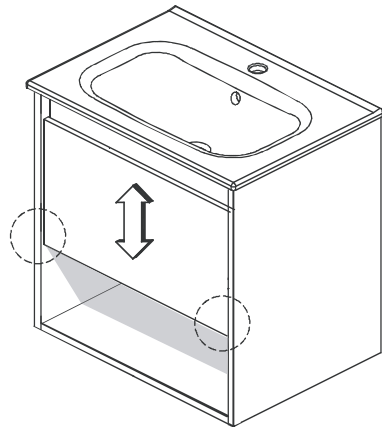


05.5

06.



07.



Siphon placement:

